

Connection extension, part no. 7170 927

for Vitosolic 100

Safety instructions



Please observe these safety instructions.

Installation, initial start-up, inspection, maintenance and repairs must be carried out by a competent person (heating engineer/installation contractor).

Before working on the equipment/heating system/solar heating system, isolate its mains electrical supply (e.g. by removing a separate mains fuse or by means of a mains electrical isolator) and safeguard against unauthorised reconnection.

When using gas as fuel, also close the main gas shut-off valve and safeguard against unauthorised reopening.

It is not permitted to carry out repairs on parts that fulfil a safety function.

Use only original Viessmann spare parts, or equivalent parts that have been approved by Viessmann.

Application

Systems with control units with KM BUS (Vitotronic, Calotronic)

For the connection of the solar circuit pump **and** the circulation pump for heating up the pre-heat stage.

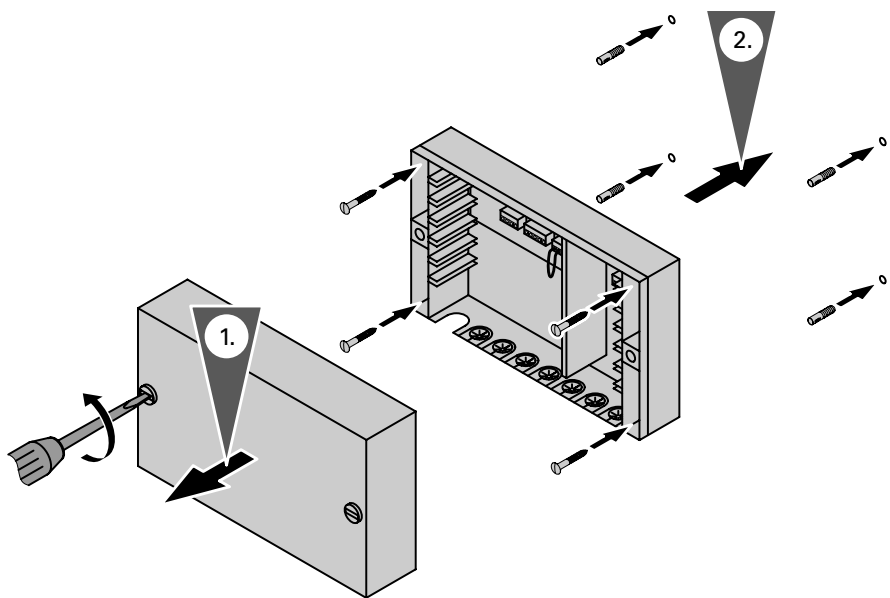
System with alternative Viessmann control units, incl. those for gas fired wall mounted boilers

For connecting the solar circuit pump **and** the circulation pump for heating up the pre-heat stage or a zero-volt control contact for the suppression of reloading the DHW cylinder by the boiler.

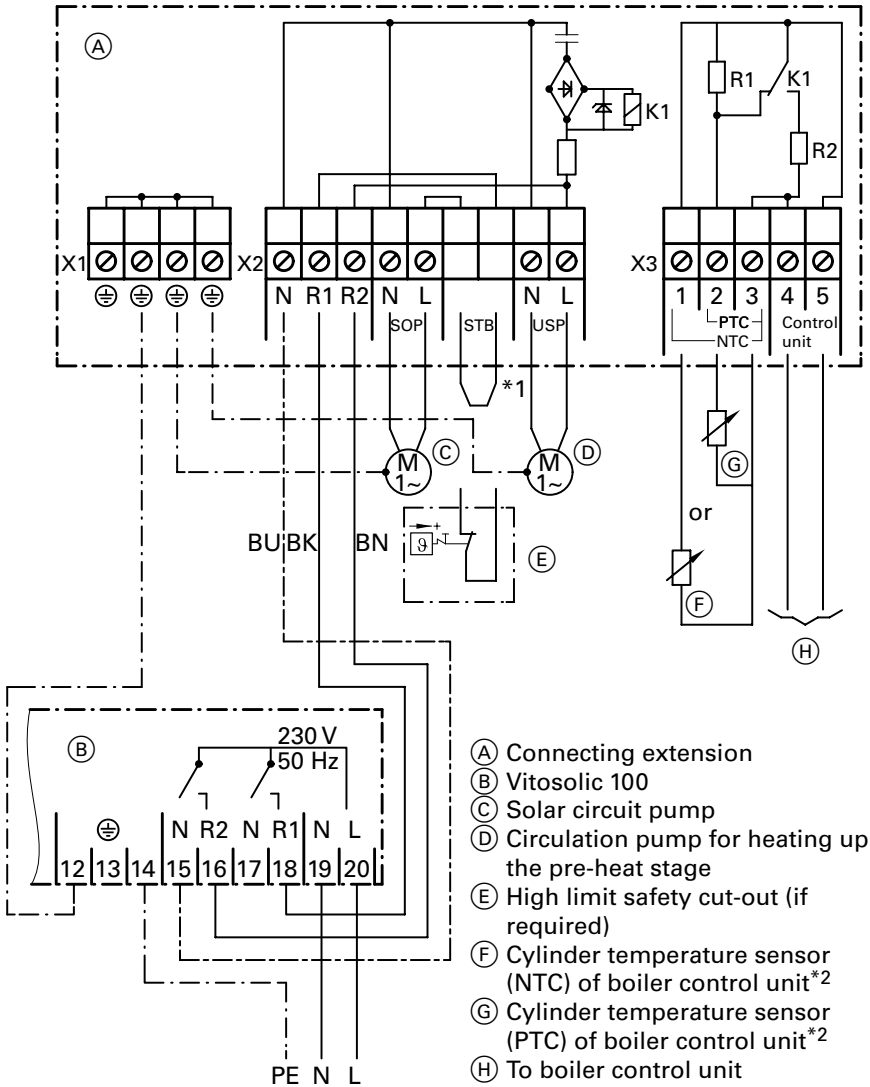
The suppression of the reloading by the boiler will be activated if the solar circuit pump is active.

The boiler control unit simulates a 10 K higher actual DHW temperature.

Installation



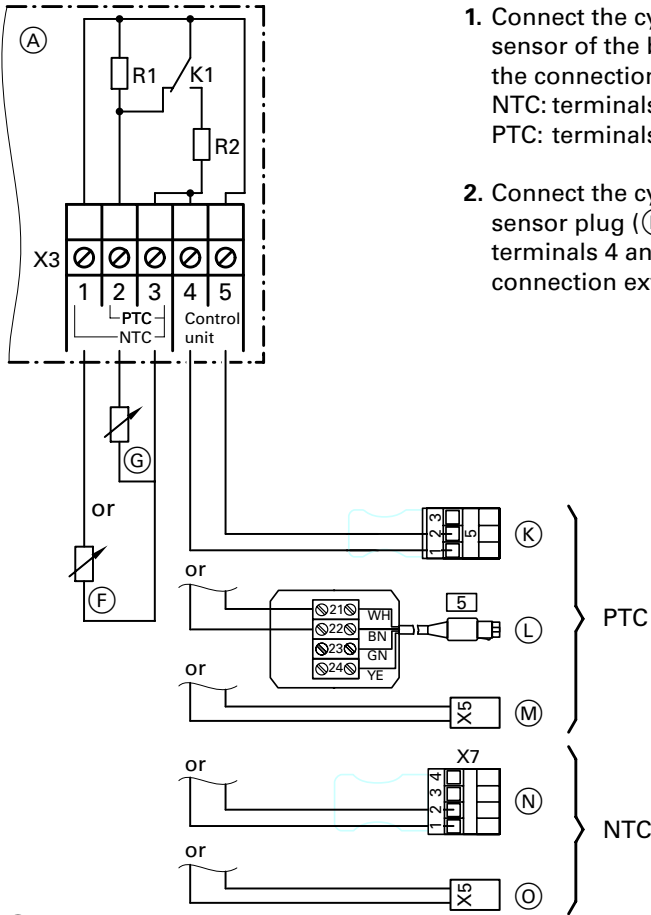
Electrical connections



*¹Remove jumper when making this connection.

*²Connection, see page 4.

Electrical connections (cont.)



1. Connect the cylinder temperature sensor of the boiler control unit to the connection extension, NTC: terminals 1 and 3 PTC: terminals 2 and 3.
2. Connect the cylinder temperature sensor plug (K to O) to terminals 4 and 5 of the connection extension.

- (A) Connecting extension
- (F) Cylinder temperature sensor (NTC)
- (G) Cylinder temperature sensor (PTC)
- (K) Vitotronic
- (L) Dekamatik*¹
- Viessmann Trimatik*¹
- Duomatik*¹
- Unomatik*¹
- (M) Eurolamatik
- (N) Vitodens and Vitopend control unit
- (O) Pendola control unit

*¹Connecting cable, part no. 7450 061, required.

Viessmann Werke GmbH & Co
D-35107 Allendorf
Tel: +49 6452 70-0
Fax: +49 6452 70-27 80
www.viessmann.de

Viessmann Limited
Hortonwood 30, Telford
Shropshire, TF1 7YP, GB
Tel: +44 1952 675000
Fax: +44 1952 675040
E-mail: info-uk@viessmann.com

Printed on environmentally friendly,
chlorine-free bleached paper.



5862 493 GB Subject to technical modifications.