



# K-FLEX COLOR

## BASF

INSTALLATION IN ONE SINGLE STEP

A saving of up to 50%  
on labour costs

*All in one!*

- EASY APPLICATION
- K-FLEX COLOR SYSTEM: THE NEW UV RESISTANT INSULATION SYSTEM FOR INDOOR AND OUTDOOR USE.

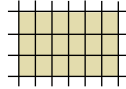


# K-FLEX COLOR SYSTEM



In standard thicknesses and diameters:

- K-FLEX pipes 1 m long
- K-FLEX sheets 1000/1500 mm width, high performance self-adhesive, resistant to humidity and high temperature.



**SELF-ADHESIVE**

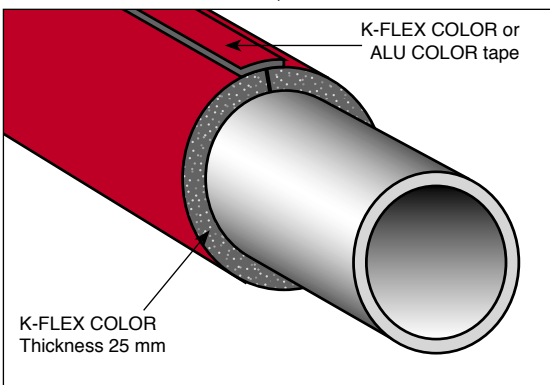
## GENERAL REFERENCE FOR APPLICATION ON PIPES

PIPES: all thicknesses      Ø up to 89 mm  
SHEETS: THICKNESSES 13-19-25      Ø from 114 mm

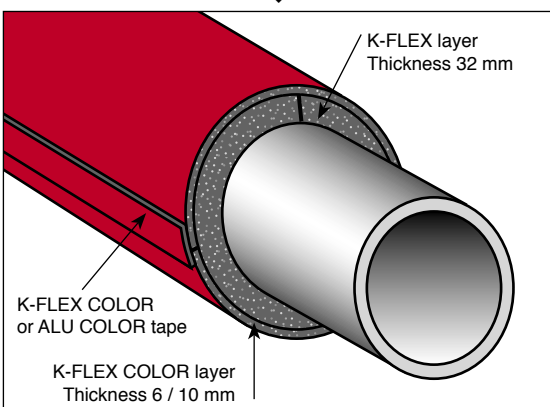
For higher thicknesses, more layers should be applied.

## EXAMPLES OF INSULATION ON Ø 400 MM PIPES

### Application with 25 mm thickness



### Application with 32 mm thickness MULTILAYER



## TESTED PRODUCT



WOM 2000 hours



HUMIDISTAT 800 hours



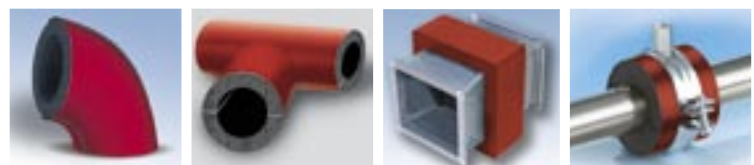
UVC 2000 hours











DURABILITY TEST

## NEW RANGE OF ACCESSORIES

Besides basic accessories, bonding agent, adhesive tapes and COLOR paint for retouching, prefabricated insulation parts can be ordered.



<b>COLOR RANGE ON STOCK</b>	 RAL 5012 Blue	 RAL 9002 White	 RAL 1019 Sand
	 England's Green	 Red	 RAL 1015-Pink
	 RAL 7035 Grey	 RAL 9011 Black	