

# Duolux 50

The universal valve set



# Duolux 50

HEIMEIER Duolux 50 is a complete valve set for two-pipe heating systems for attaching radiators to single-storey heating manifolds.

Duolux 50 comprises a two-pipe manifold of the angle or straight type, riser and thermostatic valve body.

The centre-to-centre distance of the pipe connections is 50 mm.

The G 3/4 pipe connection with cone allows HEIMEIER compression fittings to be attached for plastic, copper, precision steel and multi-layer pipe.

The angle-type Duolux 50 manifold can be fitted both to the left and right of the radiator. For mounting on the right of the radiator, the closure plug is to be unscrewed from the original position and screwed in again on the opposite side.

The regulating disk at the radiator permits hydraulic trimming by the two-pipe manifold. At the same time, this pre-setting assumes the return flow shutoff function. Hence the radiator can be detached without system drainage.

**Angle type suitable for fitting left and right at the radiator**

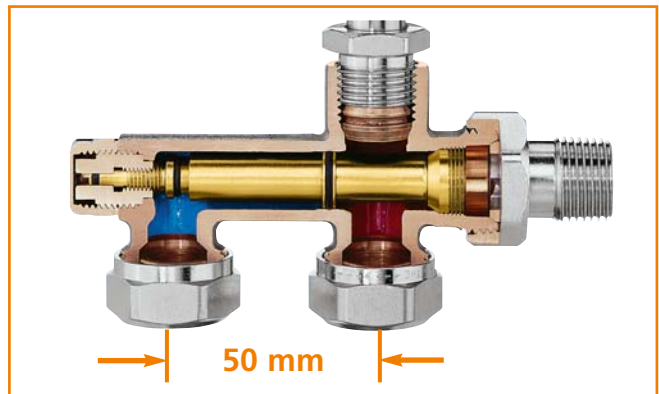
**Body made of corrosion-resistant gunmetal**

**Centre-to-centre distance of the pipe connections: 50 mm**

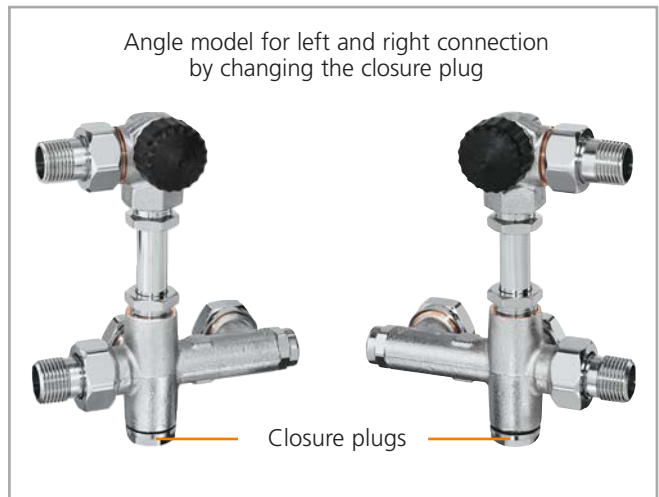
**Presetting with shutoff function – soft sealing**

**Compression fittings for attachment to all usual pipe types and connection diameters**

**Suitable for every installation situation thanks to a variety of thermostatic valve bodies**



Angle model for left and right connection by changing the closure plug



Theodor Heimeier Metallwerk GmbH  
Postfach 1124, 59592 Erwitte, Germany  
Telephone + 49 2943 891-0  
Fax + 49 2943 891-100  
www.heimeier.com