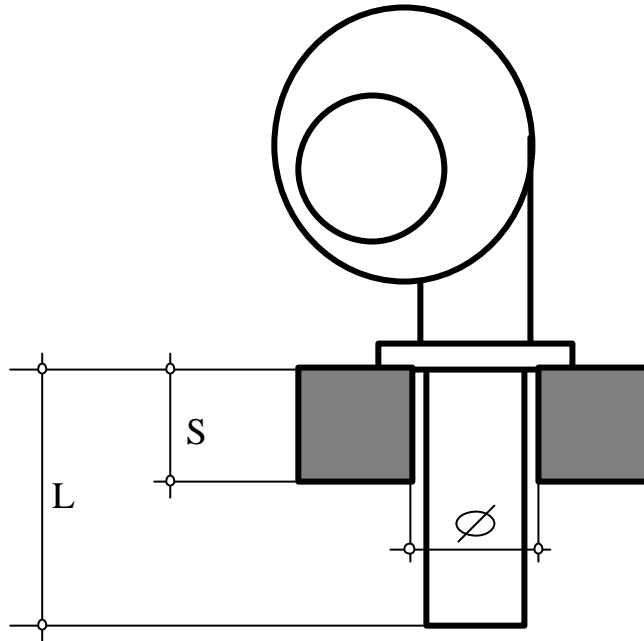


**TECHNICAL DATA FOR BURNER CONNECTION ON BOILERS**  
: VR



Boiler model	Nominal capacity kW	Furnace capacity kW	Furnace pressure mbar	Cement hole on door Ø mm	Door thickness S mm	Head lenght min/max L mm	Type	Internal furnace diameter mm	Internal furnace lenght mm
VR 140	98	111	0,7	150	140	160 / 220	passing flame	444	760
VR 200	140	162	1,6	150	140	160 / 220		444	760

Data: ? /02/a

Nome file: ACC-VR.DOC