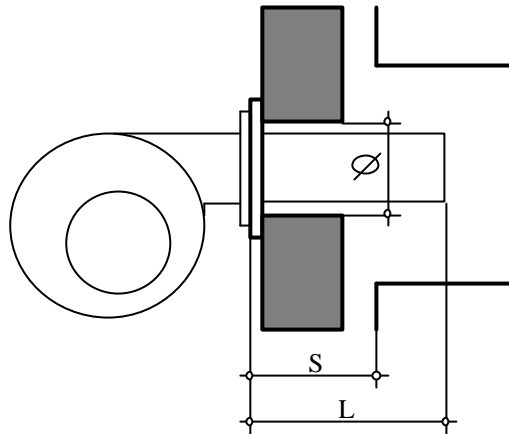




TECHNICAL DATA FOR BURNER MATCHING ON STEAM BOILERS SERIE: **BLP**



Boiler model	Nominal capacity	Furnace capacity	Furnace pressure	Cement hole on front door	Distance from furnace	Head lenght	Type	Internal furnace diameter	Internal furnace lenght
	Kw	kW	mbar	Ø mm	S mm	min/max L mm			
BLP 140	94	104	1,5	150	240	320 / 400	Flame reverse	436	1100
BLP 200	134	149	2,5	150	240	320 / 400		436	1100
BLP 300	201	223	3,0	170	240	320 / 400		486	1410
BLP 400	268	298	3,5	170	240	320 / 400		486	1410
BLP 500	335	372	4,2	200	240	320 / 400		586	1360
BLP 700	469	521	4,5	200	240	320 / 400		586	1660
BLP 800	536	596	5,0	250	240	320 / 400		636	1680
BLP 1000	670	744	6,0	250	240	320 / 400		636	1880
BLP 1250	837	930	6,5	300	240	320 / 400		736	1880
BLP 1500	1005	1117	6,8	300	240	320 / 400		736	2100
BLP 1750	1172	1302	7,0	300	250	350 / 450		736	2380
BLP 2000	1339	1488	7,0	300	250	350 / 450		834	2380
BLP 2500	1674	1860	8,0	300	250	350 / 450		880	2645
BLP 3000	2009	2232	8,2	340	250	350 / 450		960	2650