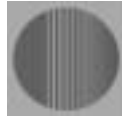


Technical Data

Part No. and prices: see Price List



Vitocell 050 (Type SVW)



Vitocell 050 (Type SVP)

File in:
Vitotec 1 Manual, Index 14

Vitocell 050

Type SVW

For hot water storage in conjunction with heat pumps.
Constructional design as per DIN 4753.

Type SVP

For hot water storage in conjunction with solar heating systems,
heat pumps and solid fuel-fired boilers.
Constructional design as per DIN 4753.



Certificated in accordance with DIN ISO 9001
Certificate Reg. No. 12 100 5581

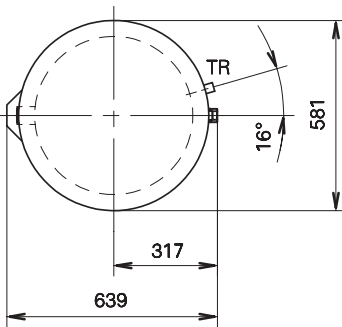
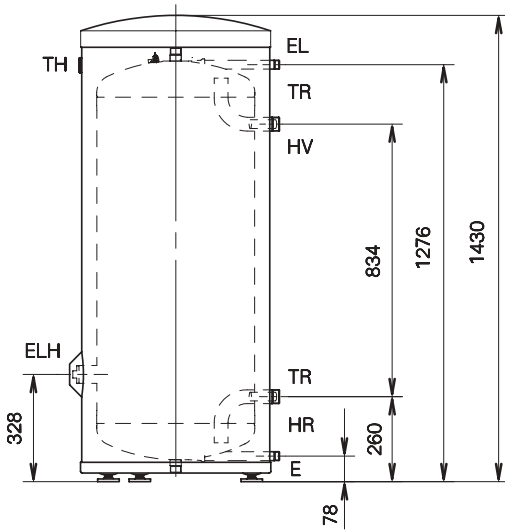
Vitocell 050 (Type SVW)

Technical data

For hot water storage applications in conjunction with heat pumps up to 17 kW output, with electrical immersion heater available as an option

Suitable for heating systems with
 ■ heating water flow temperatures up to **110 °C**
 ■ operating pressure (primary circuit) up to 3 bar

Storage capacity	ltr	200
Dimensions		
Width	mm	640
Length (dia.)	mm	581
Height	mm	1430
Height with cylinder tilted	mm	1460
Weight (with insulation)	kg	80
Connections		
Heating water flow and return	Ø" (male thread)	1¼
Drain/air vent valve	Ø" (male thread)	¾



Legend

- E Drain
- EL Air vent valve
- ELH 1½" dia. coupling for electrical immersion heater
- HR Heating water return
- HV Heating water flow
- TH Thermometer
- TR ¾" dia. coupling for temperature regulator

Standard delivery

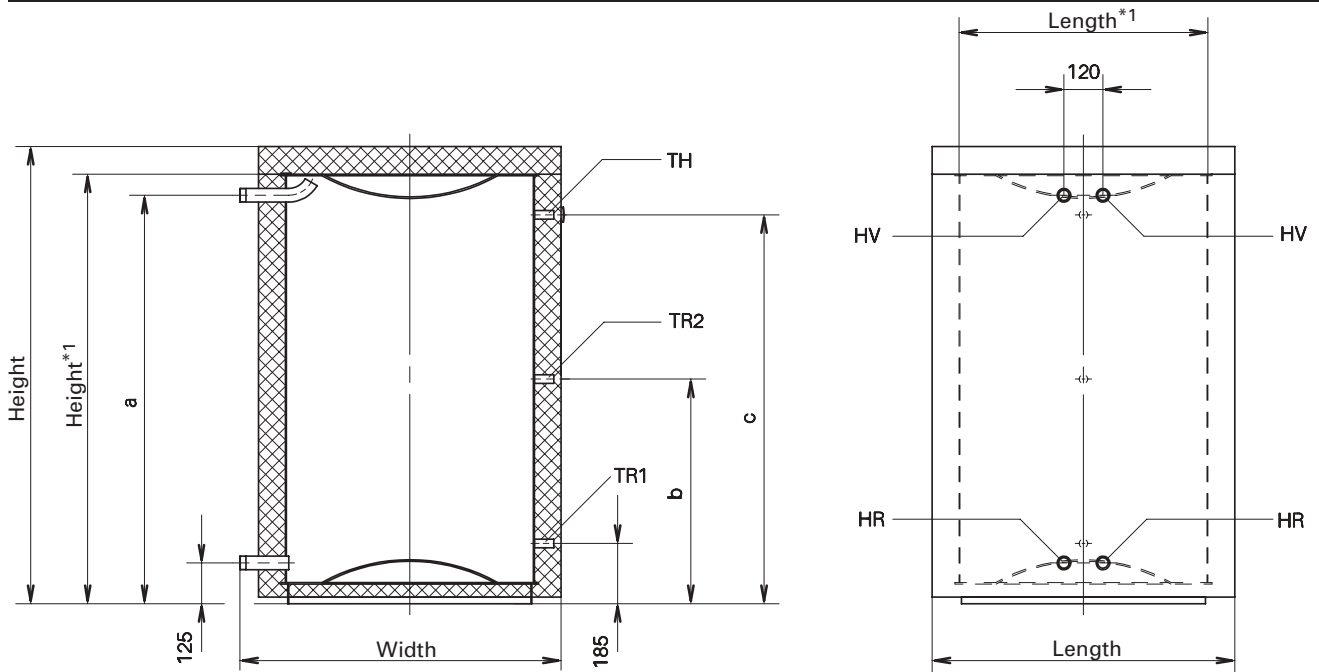
Vitocell 050 (Type SVW)

Hot water buffer storage unit constructed from steel with mounted insulating jacket comprising rigid expanded polyurethane, with built-in thermometer and adjustable feet screwed in.

Epoxy resin coated insulation in a Vito-silver finish.

Technical data

For hot water storage applications in conjunction with heat pumps, solar heating systems and solid fuel-fired boilers		Suitable for heating systems with ■ heating water flow temperatures up to 120 °C ■ operating pressure (primary circuit) up to 3 bar	
Storage capacity	ltr	600	900
Dimensions			
Width	mm	1029	1029
Length (dia.)			
– with insulation	mm	970	970
– without insulation	mm	795	795
Height			
– with insulation	mm	1425	2050
– without insulation	mm	1320	1945
Height with cylinder tilted	mm	1535	2100
Weight			
– with insulation	kg	180	190
– without insulation	kg	165	169
Connections			
Heating water flow and return	Ø" (male thread)	1¼	1¼



Dimensions

Storage capacity	litres	600	900
a	mm	1255	1880
b	mm	690	1005
c	mm	1195	1820

Legend

- HR Heating water return
- HV Heating water flow
- TH Thermometer
- TR ¼" dia. coupling for temperature regulator

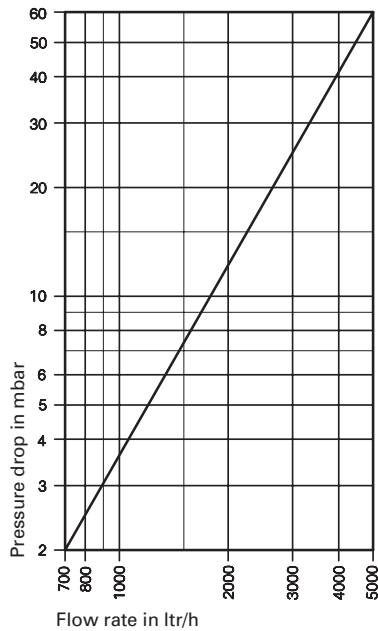
**1 Without insulation*

Standard delivery

Vitocell 050 (Type SVP)

5822 145 GB Hot water buffer storage unit constructed from steel with thermometer and with separately packed insulation. Plastic laminated insulation in a Vitosilver finish.

**Pressure drop
Type SVW and SVP**

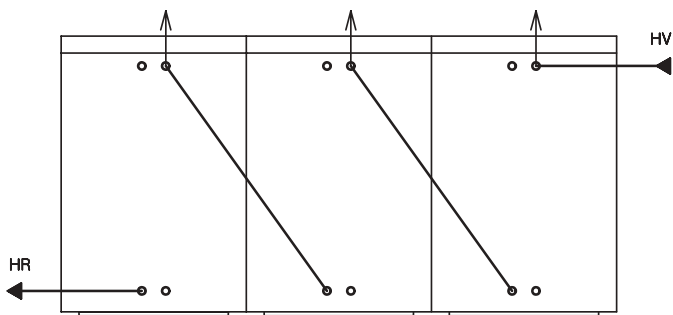


Notes on planning

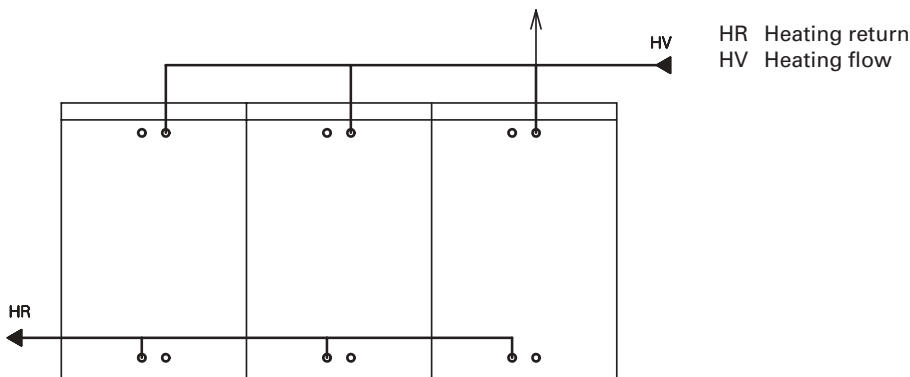
Cylinder battery

Any number of Vitocell 050 hot water buffer storage units (Type SVW and SVP) can be ganged together and connected in series or in parallel.
The connecting pipes and air vent valves must be provided on site (Type SVP shown).

Series connection



Parallel connection



HR Heating return
HV Heating flow

Subject to technical modifications!

Viessmann Werke GmbH & Co
D-35107 Allendorf
Tel: (06452) 70-0
Fax: (06452) 70-2780
Internet: www.viessmann.de

Viessmann Limited
Hortonwood 32
Telford, Shropshire TF1 4EU
Tel.: (01952) 670261
Fax: (01952) 670103