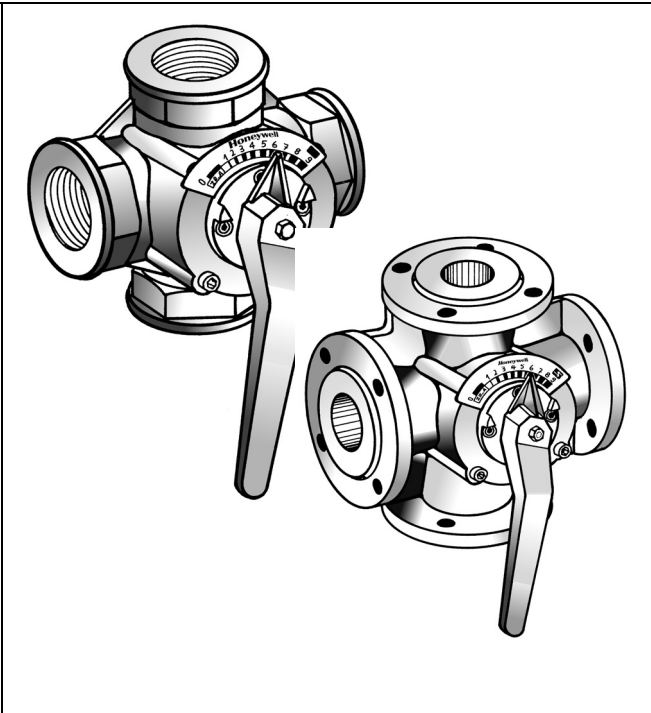


ZRxxMA / ZRxxxFA

4-WAY ROTARY VALVES PN 6

PRODUCT DATA



FEATURES

- Chrome-plated plug for long life-span
- Optimized characteristic for supply water temperature control
- Protected against corrosion
- Reliable mounting for electrical actuators
- Clear position indicator
- Wide range of flow rates with suitable actuators

SPECIFICATIONS

| | |
|---------------------------------|--|
| Nominal static pressure | 6 bar, 600kPa |
| Maximum pressure drop | depending on type (see section "Specification and Order Number" on page 2) |
| Leakage rate | 1% of K_{vs} |
| Ports | Internal threads / flange, depending on type (see section "Specification and Order Number" on page 2) |
| Angle of rotation | 90 ° |
| Flange | according DIN 2531 |
| Packing | Double o-ring sealing |
| Material body | Cast iron |
| Material inner parts | Chrome-plated cast iron |
| Medium | Heating water according to VDI 2035 (oxygen concentration less than 0.2 g/m ³ , pH 8...9.5) |
| Water temperatures in the valve | 2...130 °C (DIN200 and larger: 2...110 °C), non-condensing |
| Weight | depend on type (see sections "Dimensions of ZRXXMA (mm)" and "Dimensions of ZRXXXFA (mm)" on page 3) |
| Flow characteristic | equal percentage |

APPLICATION

Water temperature control in heating and air conditioning applications. The special valve characteristics is especially designed for an accurate control of supply water temperature in heating and air conditioning systems. In combination with M6061, the rigid and stiff construction guarantee a reliable operation over the whole lifetime.

SPECIFICATION AND ORDER NUMBER

| DN | OS Number Internal Thread | OS Number Flange | kVS [m³/h] | Δp [kPa] | Δp [kPa] |
|-----|------------------------------|---------------------|---------------|-------------|-------------|
| 15 | ZR15MA | - | 4 | {10Nm:} 80 | {20Nm:} 100 |
| 20 | ZR20MA | - | 6,3 | {10Nm:} 80 | {20Nm:} 100 |
| 25 | ZR25MA | ZR25FA | 10 | {10Nm:} 80 | {20Nm:} 100 |
| 32 | ZR32MA | ZR32FA | 16 | {10Nm:} 80 | {20Nm:} 100 |
| 40 | ZR40MA | ZR40FA | 25 | {10Nm:} 70 | {20Nm:} 100 |
| 50 | - | ZR50FA | 40 | 100 | 100 |
| 65 | - | ZR65FA | 63 | 100 | 100 |
| 80 | - | ZR80FA | 100 | 100 | 100 |
| 100 | - | ZR100FA | 160 | 80 | 80 |
| 125 | - | ZR125FA | 250 | 50 | 50 |
| 150 | - | ZR150FA | 400 | 40 | 40 |
| 200 | - | ZR200FA | 630 | 30 | 30 |

SUITABLE ACTUATORS

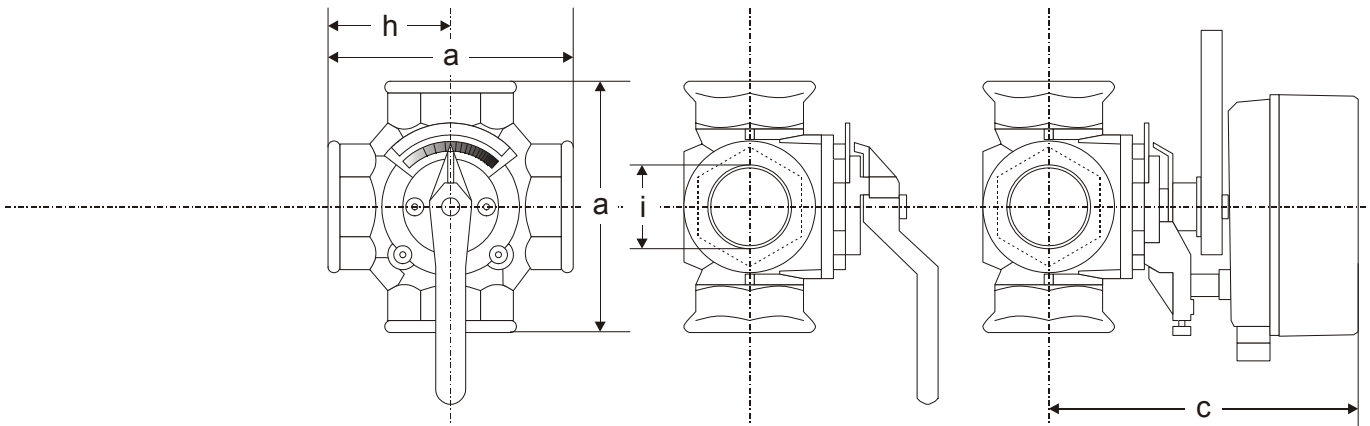
M6061A (24V; floating); M6061L (230/240V; floating); M7061E (0/2...10V modulating)

OS Numbers

| DN | Actuator 24 Vac floating M6061A... | | | Actuator 230 Vac floating M6061L... | | | Actuator 0/2...10 Vdc modulating M7061E... | | |
|-----|--|---------|---------|---|---------|---------|--|---------|-------|
| | 10 Nm | 20 Nm | 30 Nm | 10 Nm | 20 Nm | 30 Nm | 10 Nm | 20 Nm | 30 Nm |
| 15 | ...1013 | | | ...1019 | | | ...1012 | | |
| 20 | ...1013 | | | ...1019 | | | ...1012 | | |
| 25 | ...1013 | | | ...1019 | | | ...1012 | | |
| 32 | ...1013 | | | ...1019 | | | ...1012 | | |
| 40 | ...1013 | | | ...1019 | | | ...1012 | | |
| 50 | | ...1021 | | | ...1027 | | | ...1020 | |
| 65 | | ...1021 | | | ...1027 | | | ...1020 | |
| 80 | | | ...1039 | | | ...1035 | | | - |
| 100 | | | ...1039 | | | ...1035 | | | - |
| 125 | | | ...1039 | | | ...1035 | | | - |
| 150 | | | ...1039 | | | ...1035 | | | - |
| 200 | | | ...1039 | | | ...1035 | | | - |

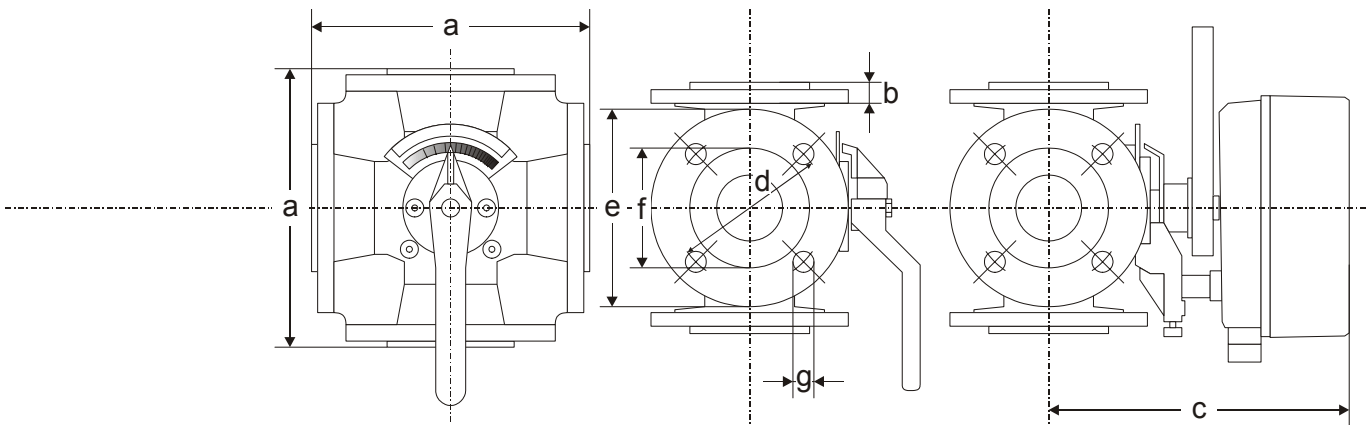
DIMENSIONS OF ZRxxMA (MM)

| Type | DN | a | c | SW | h | i | Net weight |
|--------|----|-----|-----|----|----|---------|------------|
| ZR15MA | 15 | 110 | 179 | 41 | 55 | R1/2" | 2.4 kg |
| ZR20MA | 20 | 110 | 179 | 46 | 55 | R3/4" | 2.5 kg |
| ZR25MA | 25 | 115 | 179 | 50 | 58 | R1" | 2.6 kg |
| ZR32MA | 32 | 140 | 188 | 60 | 70 | R1 1/4" | 4.3 kg |
| ZR40MA | 40 | 150 | 188 | 65 | 75 | R1 1/2" | 4.5 kg |



DIMENSIONS OF ZRxxxFA (MM)

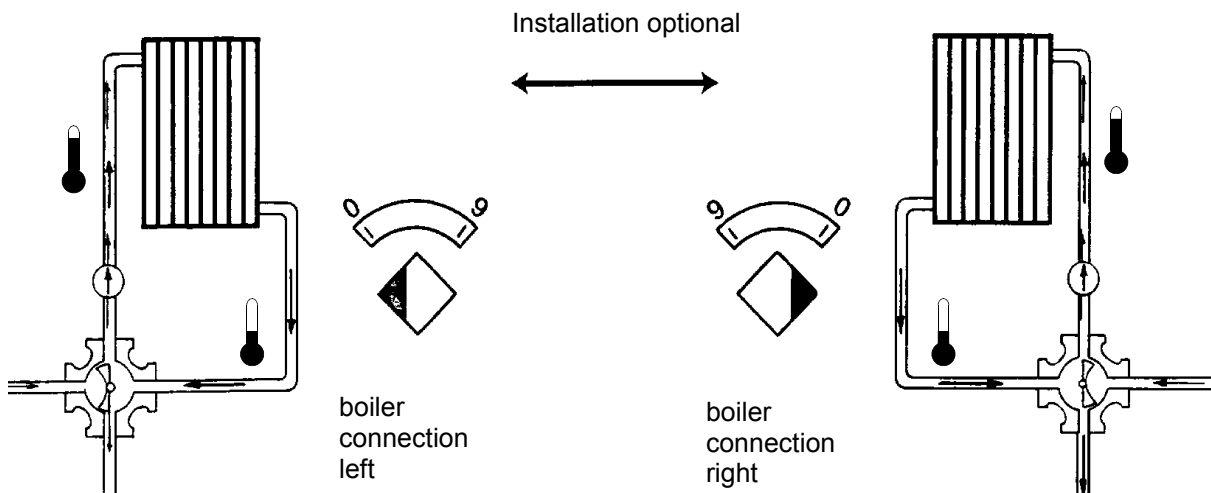
| Type | DN | a | b | c | d | e | f | g | Net weight |
|---------|-----|-----|----|-----|-----|-----|-----|------|------------|
| ZR25FA | 25 | 150 | 15 | 179 | 75 | 100 | 60 | 4x11 | 4.8 kg |
| ZR32FA | 32 | 160 | 16 | 188 | 90 | 120 | 70 | 4x14 | 7.6 kg |
| ZR40FA | 40 | 170 | 16 | 188 | 100 | 130 | 80 | 4x14 | 8.5 kg |
| ZR50FA | 50 | 190 | 16 | 202 | 110 | 140 | 90 | 4x14 | 11.0 kg |
| ZR65FA | 65 | 210 | 16 | 219 | 130 | 160 | 110 | 4x14 | 14.4 kg |
| ZR80FA | 80 | 250 | 18 | 219 | 150 | 190 | 128 | 4x18 | 24.3 kg |
| ZR100FA | 100 | 270 | 18 | 240 | 170 | 210 | 148 | 4x18 | 32.9 kg |
| ZR125FA | 125 | 310 | 18 | 267 | 200 | 240 | 178 | 8x18 | 49.0 kg |
| ZR150FA | 150 | 330 | 20 | 274 | 225 | 265 | 202 | 8x18 | 57.0 kg |
| ZR200FA | 200 | 390 | 22 | 314 | 280 | 320 | 258 | 8x18 | 84.0 kg |



OPERATION

The valve controls a mixing water temperature with a rotating plug. The plug adjusts with two control curves the water flow of two inputs. The required flow water temperature is achieved by adding a proportion of return water to the boiler hot water. For optimal control performance, the ZR has special control characteristics.

MOUNTING



Honeywell

Manufactured for and on behalf of the Environmental and Combustion Controls Division of Honeywell Technologies Sàrl, Ecublens, Route du Bois 37, Switzerland by its Authorized Representative:

Automation and Control Solutions

Honeywell GmbH
 Böblinger Straße 17
 D-71101 Schönaich / Germany
 Phone: (49) 7031 637 - 01
 Fax: (49) 7031 637 - 493
<http://europe.hbc.honeywell.com>

Subject to change without notice. Printed in Germany
 EN0B-0606GE51 R0207

DIN EN
ISO 9001