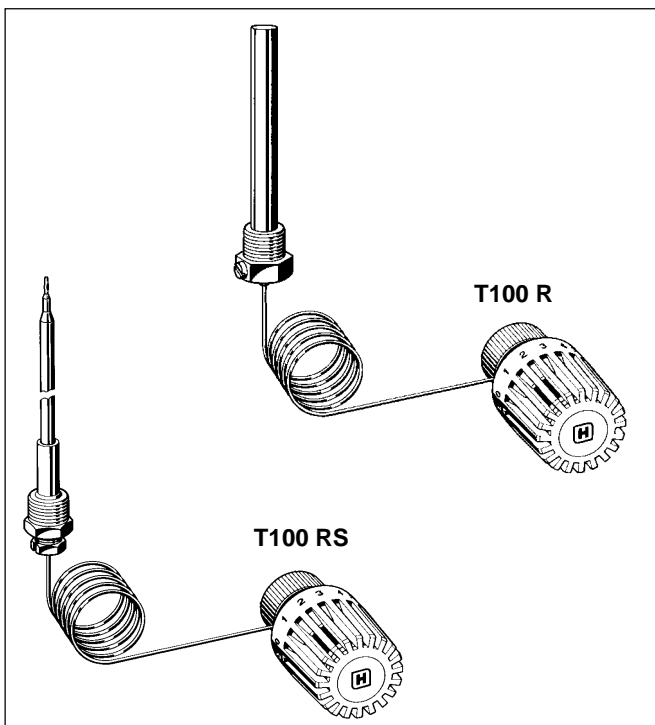


## T100 R / T100 RS

### THERMOSTATS WITH REMOTE SENSOR FOR HOT WATER UNITS

#### PRODUCT DATA



#### Design

The thermostats are made up of:

- Handwheel with socket
- External liquid-filled sensor with capillary tube and fitting
- T100 R with additional immersion pocket
- Spindle assembly
- Connection nut

#### Materials

- Handwheel made of white plastic
- Socket made of black plastic
- Support cage and spindle assembly made of plastic
- Connection nut made of nickel-plated brass
- Immersion pocket made of nickel-plated brass

#### Application

T100 R and T100 RS thermostats are used for regulating hot water temperature or control of hot water units.

#### Features

- Thermostat body with low thermal conductivity
- T100 R with immersion pocket for sensor
- Replacement of T100 R thermostat can be carried out without draining the system
- T100 RS is installed with rapid-response sensor directly immersed in the heating medium
- High control accuracy
- Over temperature protection
- Liquid-filled sensing element

#### Specifications

<b>Thermostat connection</b>	M30 x 1.5
<b>Flow temperature</b>	max. 120°C (248°F)
<b>Operating pressure</b>	max. 10 bar (145 P.S.I.)
<b>Differential pressure</b>	max. 1.2 bar
<b>Time constant</b>	10 s (T100 R) 5 s (T100 RS)
<b>Control range</b>	Types AA and DA: 10...50°C (50...122°F) Types AB and DB: 30...70°C (86...158°F)
<b>Over-temperature protection</b>	40K above set value

## Function

The T100 R or T100 RS thermostats reliably control the temperature in a hot water generator according to the setting and without external energy source.

The sensor expands or contracts according to the

temperature and the movement of the sensor in turn opens or closes the aperture in the valve body through which water flows to the hot water generator.

## Dimensions

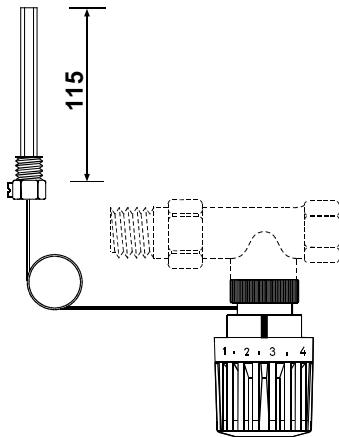


Fig. 1. Dimensions T100 R

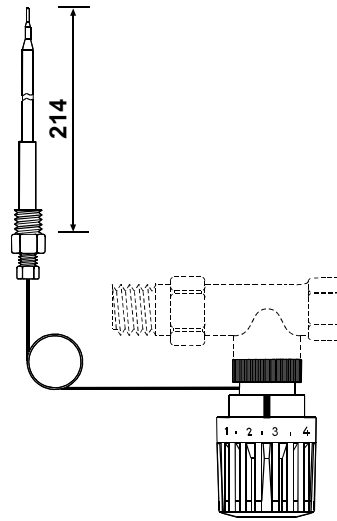


Fig. 2. Dimensions T100 RS

## Options

- T100 R - AA With R ½" immersion pocket  
Setting range 10...50°C (50...122°F)
- T100 R - AB With R ½" immersion pocket  
Setting range 30...70°C (86...158°F)
- T100 RS - DA With R ½" screw-in sensor  
Setting range 10...50°C (50...122°F)
- T100 RS - DB With R ½" screw-in sensor  
Setting range 30...70°C (86...158°F)

## Ordering Information

Type	Temperature °C (°F)																			
	10 (50)	13 (55)	17 (63)	20 (68)	23 (73)	27 (81)	30 (86)	33 (91)	37 (99)	40 (104)	43 (109)	47 (117)	50 (122)	53 (127)	57 (135)	60 (140)	63 (145)	67 (153)	70 (158)	
T100 R-AA	0	1	2	3	4	5	6	7	8	9	10	11	12							
T100 R-AB							0	1	2	3	4	5	6	7	8	9	10	11	12	
T100 RS-DA	0	1	2	3	4	5	6	7	8	9	10	11	12							
T100 RS-DB							0	1	2	3	4	5	6	7	8	9	10	11	12	

**Honeywell**

### Home and Building Control

Honeywell AG  
Zu den Ruhrwiesen 3  
D-59755 Arnsberg-Neheim

Phone: (49) 2932 9880  
Fax: (49) 2932 988239  
mng@honeywell.com

<http://europe.hbc.honeywell.com>